

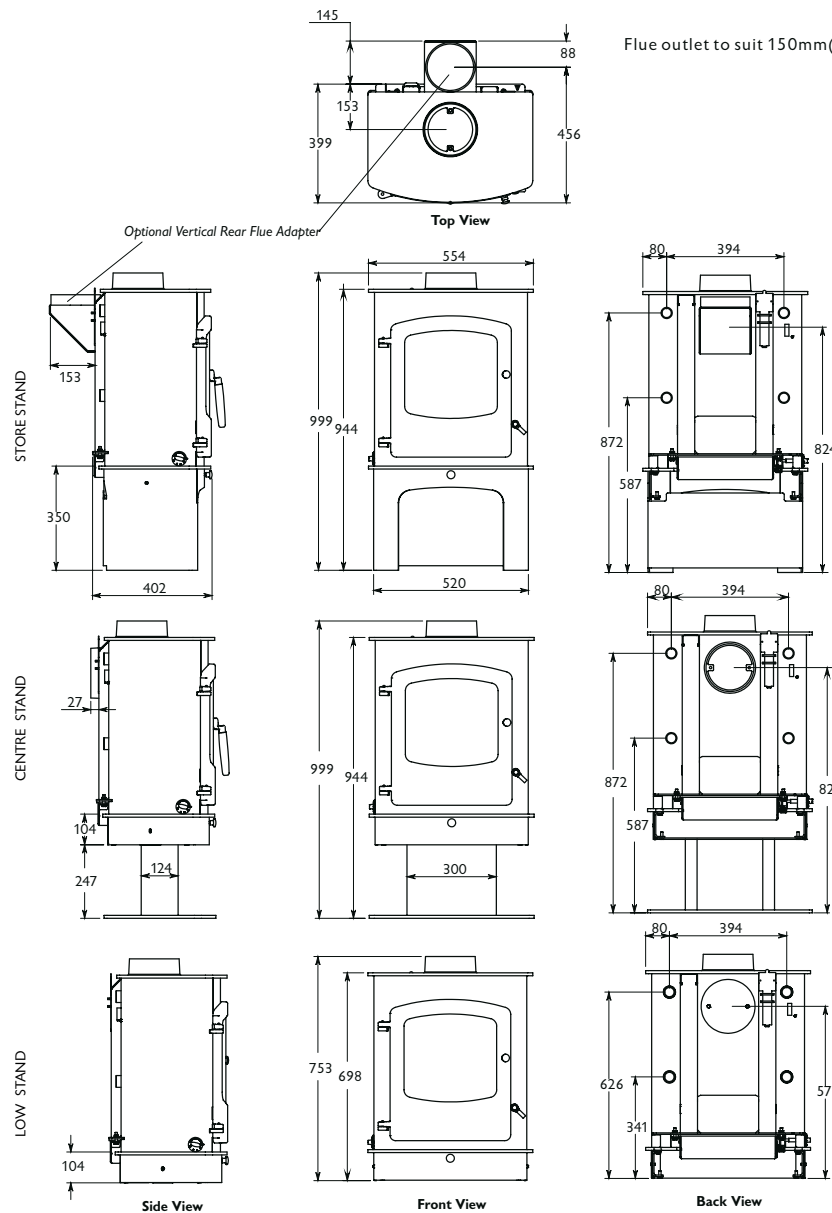
charnwood 

# COVE 2B

## STOVE DIMENSIONS



The COVE 2B is the latest addition to Charnwood's unrivalled range of biomass and multi-fuel boiler stoves. Based on our contemporary Cove stove the COVE 2B incorporates a thermostatically controlled integral boiler sufficient to power up to 9 radiators plus domestic hot water. The stove features Charnwood's clean burn air wash system and renowned converting grate for optimum fuel flexibility and easy ash removal.



### Heat Output to Room (Wood)

NOMINAL OUTPUT (1.5hr re-loading period) - 4.6kW

### Heat Output to Boiler (Wood)

NOMINAL OUTPUT (1.5hr re-loading period) - 6.4kW  
 DHW & approx. 7 rads Also suitable for underfloor heating

### Heat Output to Room (Anthracite)

NOMINAL OUTPUT (4hr re-loading period) - 7.1kW

### Heat Output to Boiler (Anthracite)

NOMINAL OUTPUT (4hr re-loading period) - 9.3kW  
 DHW & approx. 10 rads Also suitable for underfloor heating

### Flue Outlet

Top or Rear 150mm (6") diameter

### Maximum Log Length

370mm (14.5 inches)

### Weight

145kg

### Optional Accessories

Ash Carrier

Vertical Rear Flue Connector

